

110 - 130 - 132 - 140 SERIES FLOWMETERS

Variable area flowmeters with plexiglas body for small and medium size flows, with max. operating temperature of 60°C.

APPLICATIONS

Flowmeters can be used in the following industries: chemical and petrochemical, pulp and paper, food and sugar, pharmaceutical, glass, textile, mining, metallurgical and galvanizing industry. The instruments can also be used by manufacturers of water treatment plants, wine, thermal, hospital and anti-pollution plants.

110 SERIES

TECHNICAL DATA

- Accuracy: $\pm 5\%$ of f.s.
- Max. pressure: 5 Bar.
- Measuring range: 1 ÷ 10
- Guided float in inox
- Body entirely in plexiglas
- Connections in INOX
- Gaskets in Neoprene
- Fixed flows for H₂O only



Model	Flow of H ₂ O l/h	A mm	B mm	C ø	D mm	E mm	F mm	G mm	Weight in kg
110/5	150	100	150	1/2"	160	35	24	40	0,250
110/10	300	100	150	1/2"	160	35	24	40	0,250
110/15	600	100	150	1/2"	160	35	24	40	0,250
110/20	2000	125	175	3/4"	185	40	26	50	0,400
110/25	5*	150	220	1"	232	50	30	55	0,700

* flow in m³/h

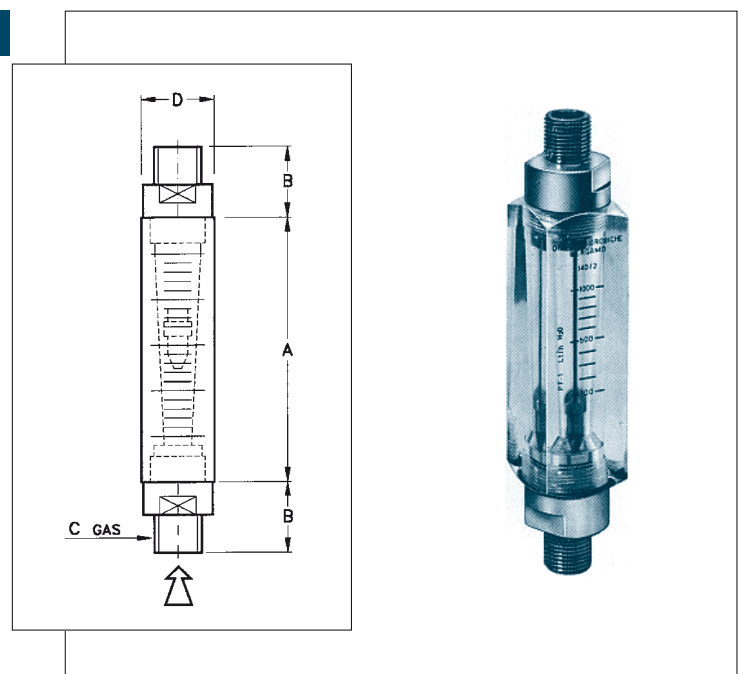
140 SERIES

TECHNICAL DATA

- Accuracy: $\pm 5\%$ of f.s.
- Max. pressure: 5 Bar.
- Measuring range: 1 ÷ 10
- Guided float in inox
- Body entirely in plexiglas
- Threaded connections in AISI 316
- Gaskets in Neoprene
- Fixed flows for H₂O only

Model	Flow of H ₂ O l/h	A mm	B mm	C ø	D mm	Weight in kg
140/1	300	127	35	1/2"	35	0,150
140/2	600	127	35	1/2"	35	0,150
140/3	1200	160	40	1/2"	35	0,150
140/4	2000	160	40	3/4"	40	0,150
140/5	4 (*)	190	40	1"	45	0,700

(*) Flow in m³/h

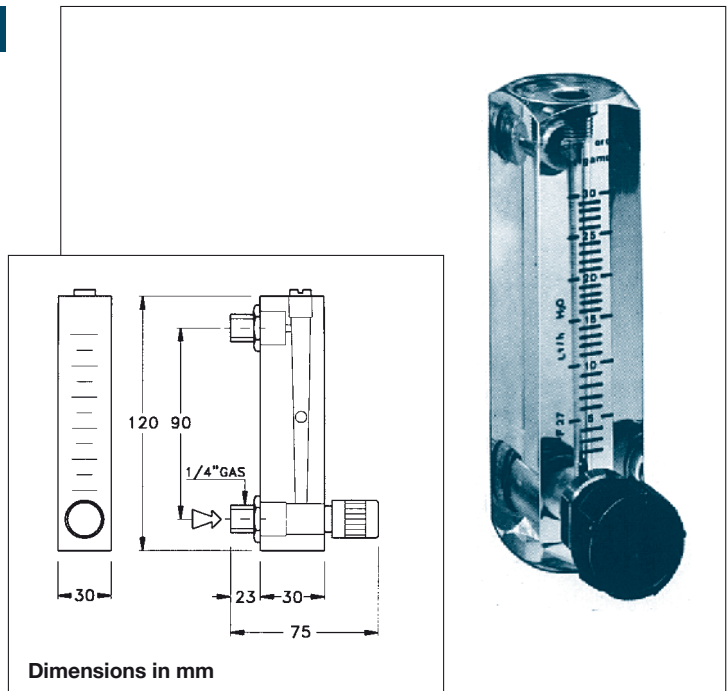


130 - 132 SERIES

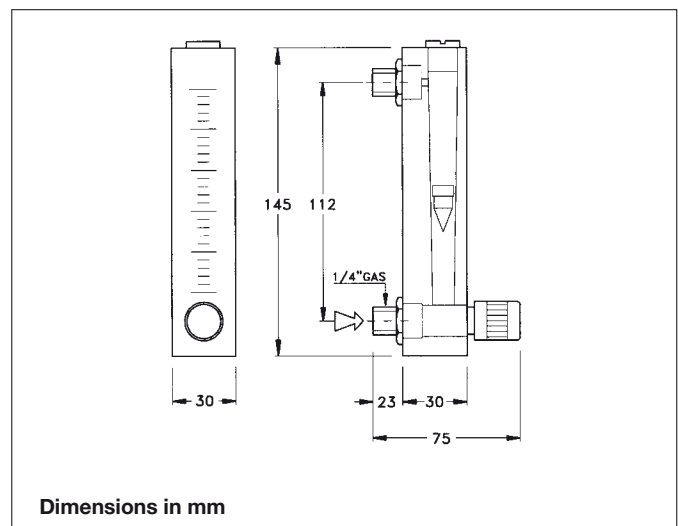
TECHNICAL DATA

- Accuracy: $\pm 5\%$ of f.s.
- Max. pressure: 5 Bar.
- Measuring range: $1 \div 10$
- Spherical float in black glass, S/steel or nylon
- Body entirely in plexiglas
- Connections and adjustable valves in AISI 316
- Gaskets in Neoprene
- Fixed flows for H₂O only

Model	Std. flow		Weight in kg
	NI/m (air)	l/h (H ₂ O)	
130/1	-	6	0,250
130/2	5	12	0,250
130/3	10	15	0,250
130/4	15	25	0,250
130/5	20	30	0,250
130/6	35	40	0,250



Model	H ₂ O flow l/h	Weight in kg
132/1	60	0,250
132/2	80	0,250
132/3	100	0,250



MATERIALS

CODE FOR	Materials	PVC (1)	AISI 316
	Connections	P	J
	Gaskets	Neoprene (N)	

(1) Only for 110 series

HOW TO ORDER:

Example: 130/2 - J- N

130/2 model
 J connections in AISI 316
 N Neoprene gaskets

- For the 110 series indicate model only.