

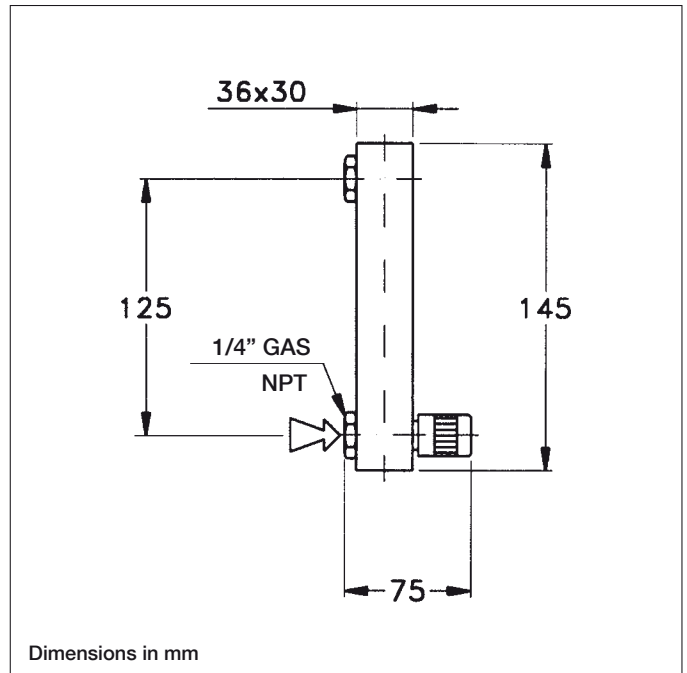
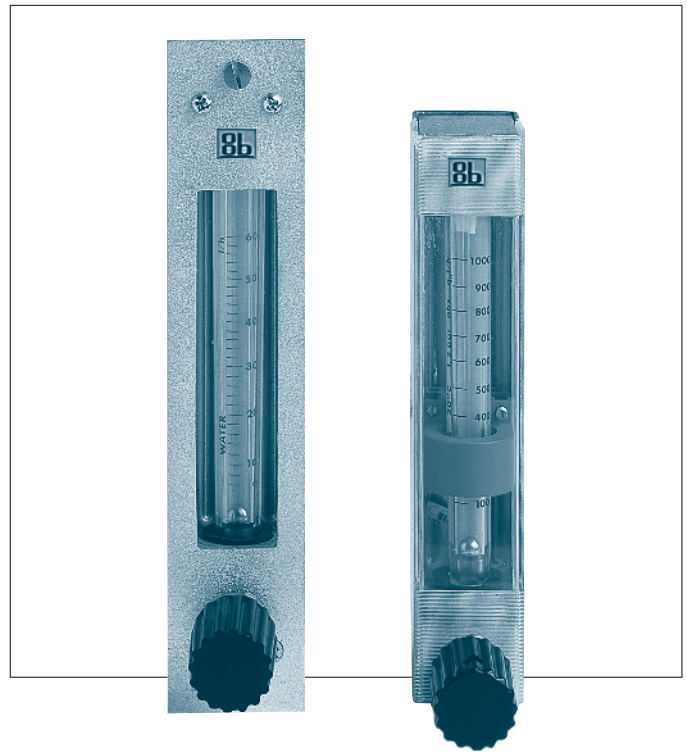
212 SERIES - FLOWMETERS

TECHNICAL FEATURES

- Borosilicate glass tube
- Structure in AISI 304
- Wetted parts in AISI 316
- Spherical float in AISI 316
- Built-in control valve in AISI 316
- Gaskets in Viton
- Float-stop in Teflon
- Length of the scale about 65 mm.
- Accuracy: $\pm 5\%$ full scale value
- Max pressure 16 bar
- Max temperature 100° C
- Quick replacement of the glass
- Protection in plexiglass
- Holes for fixing on panel
- Weight 0,4 kg

ACCESSORIES

- Inductive monostable or bistable alarm NAMUR type
- Aluminium frontal panel



SPHERE Diameter mm	CODE scale	H ₂ O (l/h) 20°C	CODE scale	AIR (NI/h) 20°C 1 bar ass.
4	-	-	H0	0,5 - 5
4	-	-	H1	0,8 - 8
4	-	-	H2	1,6 - 16
4	-	-	H3	2,5 - 25
4	-	-	H4	4 - 40
4	E0	0,25 - 2,5	H5	6 - 60
6	F0	0,5 - 5	G0	10 - 100
6	F1	1 - 10	G1	16 - 160
4	F7	1,6 - 16	G2	25 - 250
6	F2	2,5 - 25	G3	40 - 400
6	F3	4 - 40	G4	63 - 630
6	F4	6 - 60	G5	100 - 1.000
6	F5	10 - 100	G6	160 - 1.600
6	F6	16 - 160	G7	250 - 2.500
6	-	-	G8	400 - 4.000

The alarm contact is not applicable on the flowmeters with scale code "F6" "G7" and "G8"

HOW TO ORDER

Example: 212 - J - 1 - F4 - C0 - XX

212 model
 J wetted parts in AISI 316
 1 connections 1/4" GAS-F
 2 connections 1/4" NPT-F
 F4 Flow range 6-60 l/h H₂O (see schedule code)
 C0 no sensor
 C1 bistable inductive sensor
 C2 monostable inductive sensor

XX speciality to be described separately
 (ex. aluminium frontal panel)

In case of fluid different from water please specify the type of fluid precising: specific gravity, viscosity, temperature, pressure, at the operating conditions.