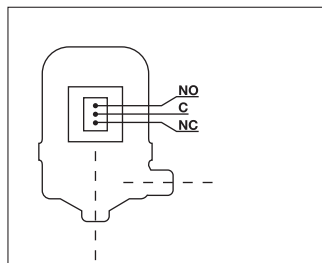


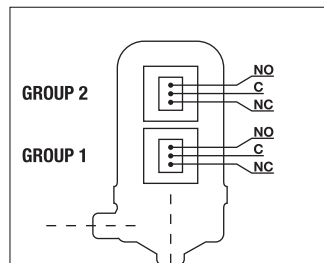
60 SERIES LEVEL SWITCHES

One-float level switch with non-inspectable body for external side mounting with one or two switching units. For pressure up to 50 Bar, for temperatures up to 400°C max. and for fluids with a specific gravity of 0,58 kg/dm³ min. for the 62 model; 0.7 kg/dm³ for the 64 and 66 models; 0.65 kg/dm³ for the 62D model and 0.8 kg/dm³ for the 64D and 66D models. Minimum differential of each switch with SP.GR. of 1 kg/dm³, 30 mm. Set point accuracy: ± 5 mm.



60 series

The **60 series** is equipped with one switching unit fitted with one SPDT switch (two simultaneous acting SPDT switches can be supplied on request).

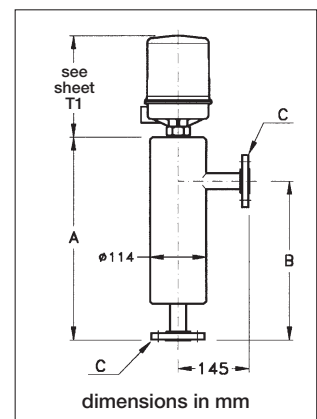
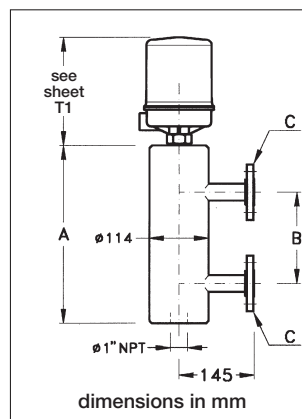
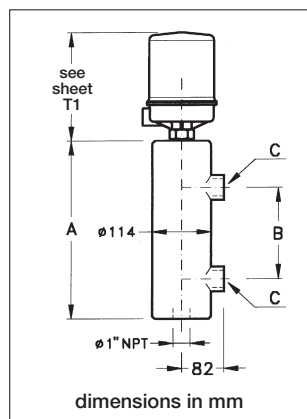
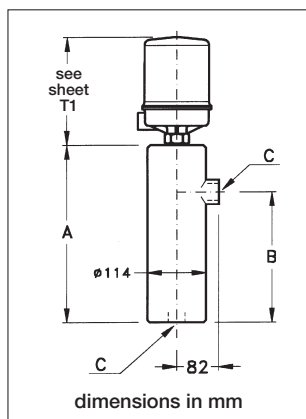


60 D series

The **60 D series** is equipped with two switching units (for separate actions) with one SPDT switch fitted on each unit.



NOTE. The set points are supplied on request, since these change according to specific gravity and working conditions.



CONNECTIONS		THREADED		FLANGED		
POSITION	B CONNECTIONS DISTANCE mm	A mm	WEIGHT ~ kg	B CONNECTIONS DISTANCE mm	A mm	WEIGHT ~ kg
SIDE/BOTTOM	270 (325 ¹)	360 (420 ¹)	12 (14)	330 (400 ¹)	425 (495 ¹)	16 (18)
SIDE/SIDE	178 (2)	360	12	178 (2)	360	16
SIDE/SIDE	292	475	14	292	475	17
SIDE/SIDE	330	515	15	330	515	18
SIDE/SIDE	356	540	18	356	540	21

1) min. dimensions for 60D series with two switching units

2) the 66 D model is not available with 178 mm S/S connections

Standard "C" connections: Threading 1" NPT-F; Flange UNI PN ...DN 25/1" ANSI.....RF; 1" S.W.

On request, non-standard threads and flanges can be supplied.

For temperatures exceeding 135°C or below -10°C, fins with the "R" code are fitted on all versions; temps. of 135-250°C, **R1**; 250-400°C, **R4**; -10 to 80°C, **R3**.

A version with body Ø 6" is available for special applications (3060 series)



WORKING CONDITIONS

MODEL		62			64			66		
STD "C" FLANGE		1" ANSI 150 RF UNI DN 25 PN 16			1" ANSI 300 RF UNI DN 25 PN 40			1" ANSI 600 RF UNI DN 25 PN 64		
VERSION		A	I	J	A	I	J	A	I	J
Temperatures	100° C	17	15	16	35	30	31	46	40	42
	150° C	15	13	14	34	27	29	45	36	38
	200° C	13	12	13	33	25	27	43	32	35
	250° C	11	11	11	32	23	25	41	30	33
	300° C	10	10	10	29	22	24	38	28	31
	350° C	8	8	8	28	21	23	36	28	30
	400° C	6	6	6	27	21	22	34	27	29
BODY RATING		ANSI 150			PN 40			ANSI 300		

Max pressure in bar

MATERIALS

CODE FOR:	Materials	Carbon steel	AISI 304	AISI 316
	Body	A	I	J
	Float	-	-	2

On request, versions in plastic (PVC - MOPLen - PVDF) can be supplied.

SWITCHES

Type	Mercury switch	Dry microswitch					Pneumatic switch*
Load rating	220 V a. c. 10 A 110 V d. c. 1,5 A	250 V a. c. 10 A 125 V d. c. 0,5 A	125 V d. c. 10 A	250 V a. c. 10 A 125 V d. c. 0,5 A waterproof	125 V a. c. 1 A 28 V d. c. 1 A waterproof with gold contacts	250 V a. a. 1A 24 V d.c. 3A sealed with inert gas	Output: 0 ÷ 40 psi max.
CODE	VD	M2	M3	M4	M6	M14	PNA (aluminium)

*Air inlet and output connection 1/4" NPT-F - No bleed type

ENCLOSURES

Type	Waterproof	Explosion-proof	The (WP) enclosures can be supplied whit gland or with a 3 or 7 pole connector as per MIL standards. The (EP) enclosures can be supplied whit explosion-proof gland. 1) CESI certificate N. 02-ATEX-126
Material	Aluminium	Aluminium	
Electrical Connection	1/2" NPT-F/GAS 3/4" NPT-F/GAS ISO M20X1.5	1/2" UNI 6125/NPT-F 3/4" UNI 6125/NPT-F ISO M20X1.5	
Protection degree	IP 66	ATEX II 2 G Ex d IIC T6 o T5 Gb ATEX II 1/2 D Ex ta/tb IIIC T85° o T100° C Da/Db IP 66	
CODE	WP	EP	

HOW TO ORDER

Example: 62 - A - 2 - M2 - WP

- 62 model
- A body in carbon steel
- 2 float in S/steel AISI 316
- M2 dry microswitch 250 V a.c. - 10 A
- WP waterproof enclosure
- R1 coolings fins (t 200° C); optional

The following data are required: type of fluid, specific gravity, operating temperature and pressure.



OFFICINE OROBICHE S.p.A.

24010 Ponteranica (Bergamo) ITALY - via Serena, 10 - Tel. 0039.035.4530.211 - Fax 0039.035.570546
www.officineorobiche.it e-mail: info@officineorobiche.it

Information subject to change without prior warning