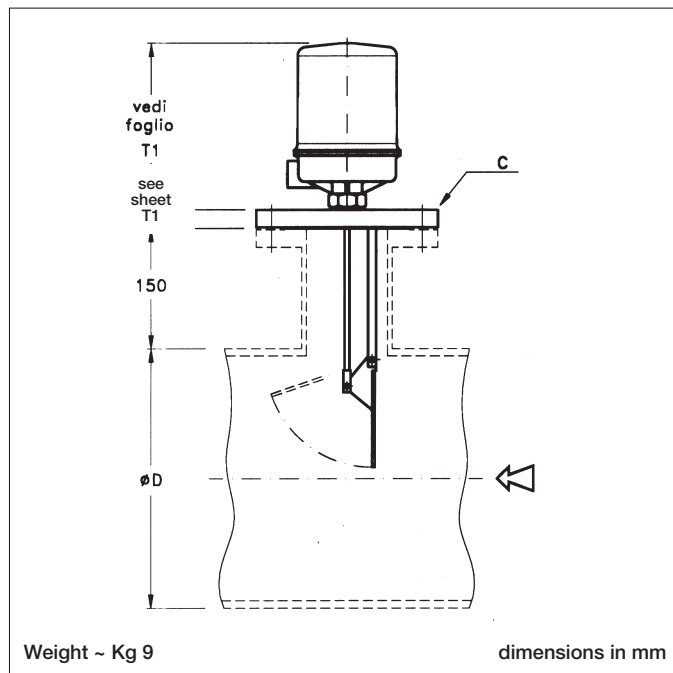


PL SERIES FLOW ALARM SWITCHES

Paddle type flow switch for water, with max. or min. flow alarm, with a single switching unit, and with output on SPDT switch.

TECHNICAL DATA

- horizontal mounting
- single switching unit (on request, two SPDT switches with simultaneous action can be supplied)
- fixed set point
- fixed differential
- repeatability of set point $\pm 5\%$
- max. temperature 135°C
- pressure: see rating for flanges
- max. pressure drop 500 mm H₂O
- used for pipe of min. DN 100
- special versions made for air flow



CONNECTION "C"	MODEL	PIPE Sch.40 / SET m3/h						PIPE Sch.80 / SET m3/h						PIPE Sch.120 / SET m3/h						DIFFERENT.	FLUID	SET m/sec
		Ø D						Ø D						Ø D								
		3"	4"	6"	8"	10"	12"	3"	4"	6"	8"	10"	12"	3"	4"	6"	8"	10"	12"			
FLANGE UNI DN 80-100 / ANSI 3"-4"	PL-11			7 40	12 70	18 110	26 156			6 36		16 93	25 151				9 57	15 90		25%	H ₂ O	0,1 0,6
	PL-12		12 27	27 60	46 105	73 165	104 234		11 24	24 54		62 140	101 227				38 35	60 135		20%	H ₂ O	0,4 0,9
	PL-13		12 30	27 67	46 116	73 183	104 260		11 27	24 61		62 156	101 252				38 94	60 150		20%	H ₂ O	0,4 1
	PL-14		33 80	74 181	128 314	201 494	286 702		29 72	67 163		171 421	277 680				104 254	165 404		20%	H ₂ O	1,1 2,7
	PL-15				268 470	465 813	732 1281	1040 1820			242 424		623 1091	1007 1763				377 659	599 1048		20%	AIR
FLANGE UNI DN 50 / ANSI 2" THREAD GAS-M / NPT-M 2" - 3"	PL-16		9 21	20 47	35 81	55 128	78 182		8 19	18 42		47 109	76 176				28 66	45 105		25%	H ₂ O	0,3 0,7
	PL-17	7 15	12 27	27 60	46 105	73 165	104 234	6 14	11 24	24 54		62 140	101 227				38 85	60 135		20%	H ₂ O	0,4 0,9
	PL-18	12 24	21 41	47 94	81 163	128 256	182 364	11 21	19 37	42 85		109 218	176 353				66 132	105 210		20%	H ₂ O	0,7 1,4
	PL-19		35 71	81 161	139 279	220 439	312 624		32 64	73 145		187 374	302 604				113 226	180 359		25%	H ₂ O	1,2 2,4
	PL-20				302 537	523 929	823 1464	1170 2079			272 484		701 1247	1133 2014				424 754	673 1197		20%	AIR

Process connection with higher sizes can be supplied, on request.

MATERIALS

CODE FOR:	Materials	Carbon steel	AISI 304	AISI 316
	Body	A	I	J
	Paddle and leverage	-	-	2

SWITCHES

Type	Mercury switch	Dry microswitch					Pneumatic switch*
Load rating	220 V a. c. 10 A 110 V d. c. 1,5 A	250 V a. c. 10 A 125 V d. c. 0,5 A	125 V d. c. 10 A	250 V a. c. 10 A 125 V d. c. 0,5 A waterproof	125 V a. c. 1 A 28 V d. c. 1 A waterproof with gold contacts	250 V a. c. 1A 24 V d.c. 3A sealed with inert gas	Output: 0 ÷ 40 psi max.
CODE	VD	M2	M3	M4	M6	M14	PNA (aluminium)

*Air inlet and output connection 1/4" NPT-F - No bleed type

ENCLOSURES

Type	Waterproof	Explosion-proof	<p>The (WP) enclosures can be supplied whit gland or with a 3 or 7 pole connector as per MIL stand-ards.</p> <p>The (EP) enclosures can be supplied whit explosion-proof gland.</p> <p>1) CESI certificate N. 02-ATEX-126</p>
Material	Aluminium	Aluminium	
Electrical Connection	1/2" NPT-F/GAS 3/4" NPT-F/GAS ISO M20X1.5	1/2" UNI 6125/NPT-F 3/4" UNI 6125/NPT-F ISO M20X1.5	
Protection degree	IP 66	ATEX II 2 G Ex d IIC T6 o T5 Gb ATEX II 1/2 D Ex ta/tb IIIC T85° o T100° C Da/Db IP 66	
CODE	WP	EP	

HOW TO ORDER

Example: PL 11 - A - 2 - M2 - WP

PL 11 model
 A body in carbon steel
 2 paddle and internal leverage in AISI 316
 M2 dry microswitch 250 V a.c. - 10 A
 WP waterproof enclosure

The following data are required: temperature, pressure, working flow rate and required set point.