



application: **liquids**

Sampling Valve

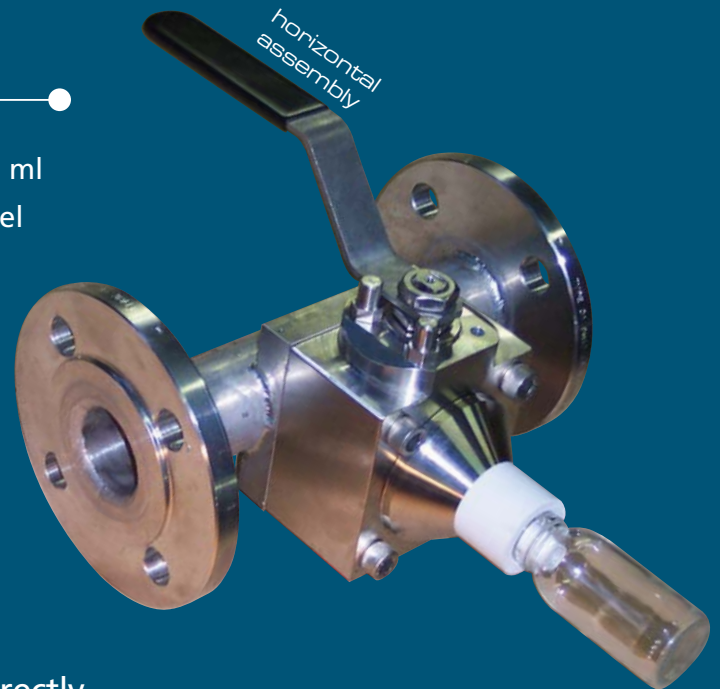
Capacitive ball / type 310N

Features

- Horizontal and vertical mounting
- Sampling capacity from 15 to 100 ml
- Welded body in 316L stainless steel
- Connection of the sampling pot according to customer's requirement
- PTFE seats
- PTFE inserts in dead areas
- PED 97/23/EC compliant

Competitive advantages

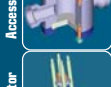
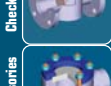
- Taking a genuine sample directly in the line
 - ⇒ Total security
- No contact with the product line during sample removal
 - ⇒ No interruption of production
 - Safety guaranteed
- Accurate measurement of the sampling
 - ⇒ Low handling risks and productivity gains
- Anti blow-out stem
 - ⇒ Total safety
- Dead space free
 - ⇒ No contamination
- Dead-man lever system
 - ⇒ Line and environmental safety

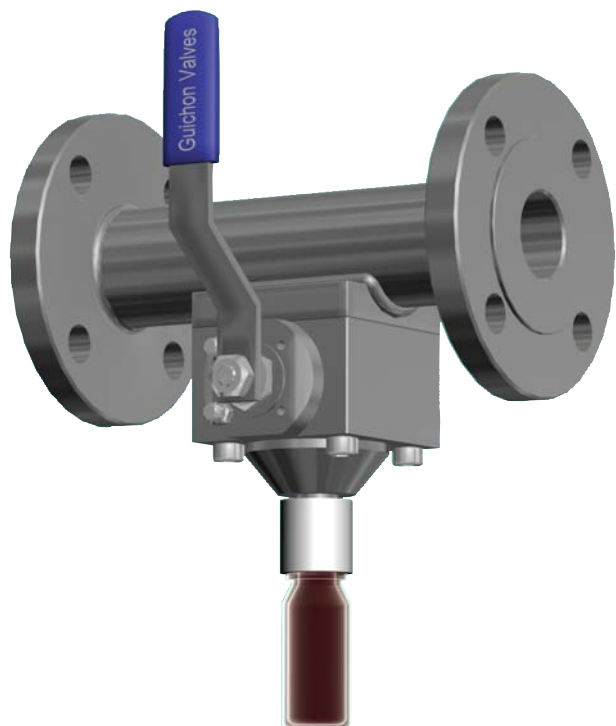
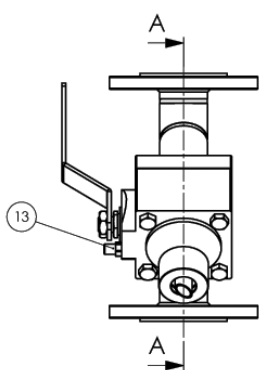
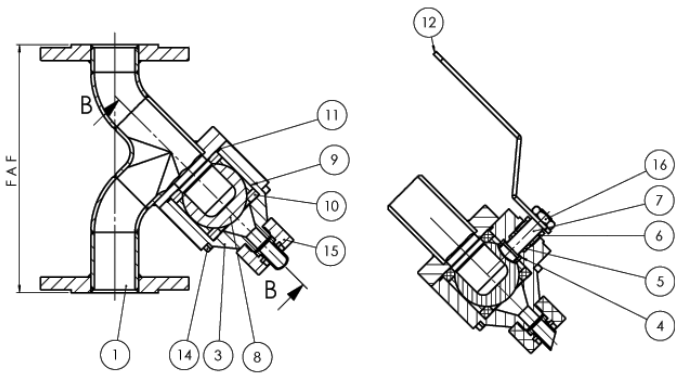


Ball & plug valve



Sampling valve





Part n°	Qty	Part name	Material
1	1	Sleeve	316 L/1.4404
3	1	Body	316 L/1.4404
4	1	Friction washer	PTFE
5	1	Packing	PTFE
6	1	Nut	A2-70
7	1	Stem	316L/1.4404
8	1	Ball	316L/1.4404
9	2	Insert ring	PTFE
10	2	Seat	Glass filled PTFE
11	1	Body gasket	PTFE
12	1	Operating key	Stainless Steel
13	2	Stop	Stainless Steel
15	1	HM nut	A2-70
17	1	Mass connector	Aluminium
18	1	Earth lug	Stainless Steel
19	1	Spring	Stainless Steel
20	4	CHC screw	A4-70
21	1	Bottle coupling	Glass filled PTFE

FAF PN 16

FAF PN 16

Vertical mounting

DN	15	20	25	32	40	50	65	80	100	150
Capacity	15-25-50-100ml									
St. Steel	250	250	250	250	250	300	300	300	300	350
Lined	250	250	250	250	250	300	300	350	350	350
PVDF	250	250	250	250	250	300	300	350	350	350

Horizontal mounting

DN	15	20	25	32	40	50	65	80	100	150	200
Capacity	15-25-50-100ml										
St. Steel	250	250	250	250	250	250	250	250	250	250	250
Lined	200	200	200	200	200	200	250	250	250	250	250
PVDF	200	200	200	200	200	200	250	250	250	250	250

OPTIONS

- Heating jacket
- Nozzles for nitrogen injection for cleaning between batches of different products
- Pneumatic actuator
- Extended operation lever
- Austenitic Stainless Steel (304, 321, UB6 ...), Duplex, Hastelloy®, Incoloy®, Monel®, Inconel®, Titanium, Zirconium ...
- PVDF or inside PFA lining
- EN10204 3.1 certificates, ATEX
- ASME, JIS, GOST Standards, etc.

26 rue Paul Girod – Z.I. Bissy • 73000 Chambéry • France
 Tél : + 33 (0)4 79 44 59 00 • Fax : + 33 (0)4 79 44 59 01
 E-mail : info@guichon.com • www.guichon.com