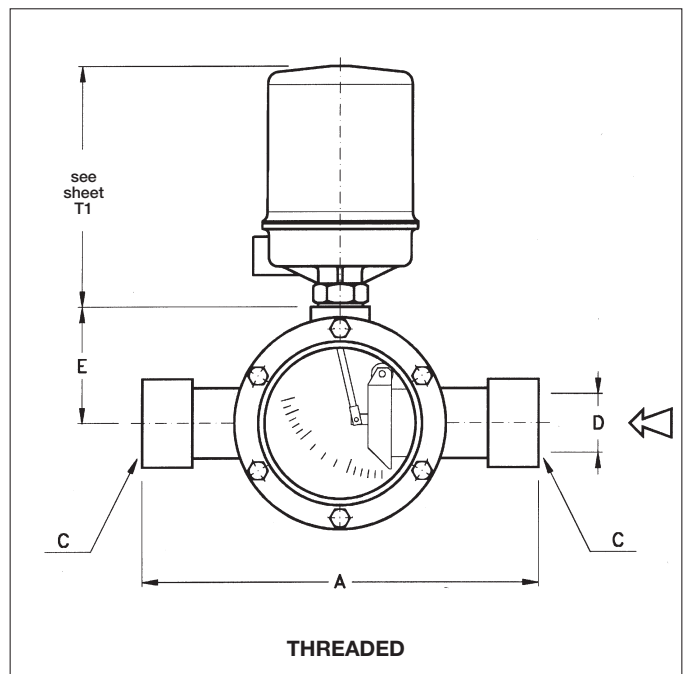
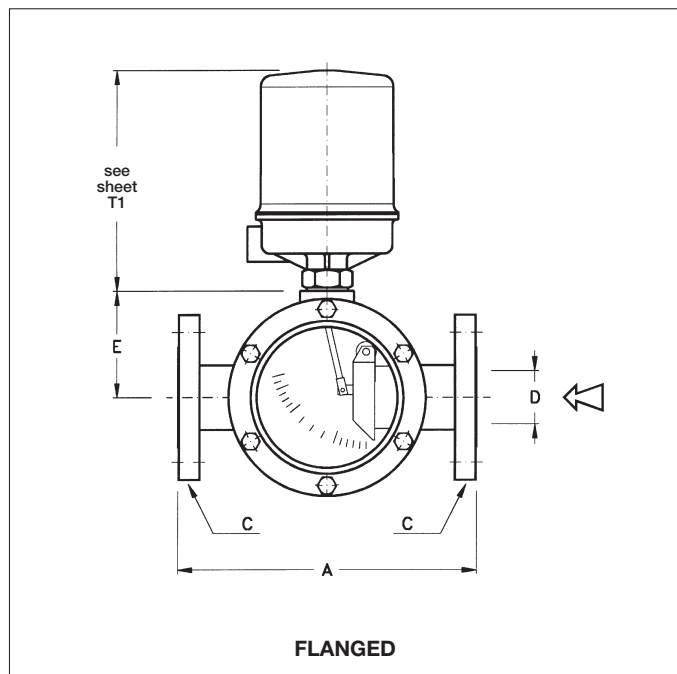


TGO SERIES FLOW ALARM SWITCHES

Paddle type flow switch for liquids, with flow indicator, for max. or min. flow alarm, with a single switching unit, with output on SPDT switch.

TECHNICAL DATA

- horizontal mounting
- single switching unit (on request, two SPDT switches with simultaneous action can be supplied)
- set point can be adjusted to between 10 ÷ 60% of max. flow rate (Q).
- fixed differential for each set point with value variable between 20 ÷ 50% of max. flow rate (Q)
- accuracy of flow indication: $\pm 15\%$ of f.s
- calibrating liquid: water
- set point accuracy $\pm 5\%$ of max. flow rate (Q)
- max. temperature 130°C
- max. pressure 10 Bar
- max. pressure drop 500 mm H₂O
- gaskets in neoprene



| MODEL | FLANGED | | | | THREADED | | | E mm | Q max m ³ /h H ₂ O |
|---------|---------|-----|--------|-------------------------------|----------|--------|----------------|---------|---|
| | A mm | D | | WEIGHT ⁽¹⁾ ~ KG | A mm | D | WEIGHT ~ KG | | |
| | | UNI | ANSI | | | | | | |
| TGO 50 | 280 | 50 | 2" | 15 | 340 | 2" | 10 | 100 | 20 |
| TGO 65 | 300 | 65 | 2 1/2" | 19,5 | 370 | 2 1/2" | 14 | 100 | 30 |
| TGO 80 | 330 | 80 | 3" | 27 | 400 | 3" | 21 | 115 | 50 |
| TGO 100 | 380 | 100 | 4" | 34 | - | - | - | 130 | 100 |

Std. "C" connections: flange UNI PN 10/ANSI 150 RF - threaded GAS/NPT-F.
On request, flanges with a higher rating can be supplied.



MATERIALS

| CODE FOR: | Materials | Carbon steel | AISI 304 | AISI 316 |
|-----------|---------------------|--------------|----------|----------|
| | Body | A | I | J |
| | Paddle and leverage | - | - | 2 |

on request, version in plastic (PVC - MOPLN - PVDF) can be supplied

SWITCHES

| Type | Mercury switch | Dry microswitch | | | | | Pneumatic switch* |
|-------------|---------------------------------------|---------------------------------------|------------------|---|--|---|----------------------------|
| Load rating | 220 V a. c. 10 A 110 V d. c. 1,5 A | 250 V a. c. 10 A 125 V d. c. 0,5 A | 125 V d. c. 10 A | 250 V a. c. 10 A 125 V d. c. 0,5 A waterproof | 125 V a. c. 1 A 28 V d. c. 1 A waterproof with gold contacts | 250 V a. c. 1A 24 V d.c. 3A sealed with inert gas | Output: 0 ÷ 40 psi max. |
| CODE | VD | M2 | M3 | M4 | M6 | M14 | PNA (aluminium) |

*Air inlet and output connection 1/4" NPT-F - No bleed type

ENCLOSURES

| Type | Waterproof | Explosion-proof | The (WP) enclosures can be supplied whit gland or with a 3 or 7 pole connector as per MIL standards. The (EP) enclosures can be supplied whit explosion-proof gland. 1) CESI certificate N. 02-ATEX-126 |
|-----------------------|---|--|---|
| Material | Aluminium | Aluminium | |
| Electrical Connection | 1/2" NPT-F/GAS 3/4" NPT-F/GAS ISO M20X1.5 | 1/2" UNI 6125/NPT-F 3/4" UNI 6125/NPT-F ISO M20X1.5 | |
| Protection degree | IP 66 | ATEX II 2 G Ex d IIC T6 o T5 Gb ATEX II 1/2 D Ex ta/tb IIIC T85° o T100° C Da/Db IP 66 | |
| CODE | WP | EP | |

HOW TO ORDER

Example: TGO 50 - A - 2 - M2 - WP

TGO 50 model

A body in carbon steel

2 paddle and internal leverage in S/steel AISI 316

M2 dry microswitch 250 V a.c. - 10 A

WP waterproof enclosure

The following data are required: type of liquid, specific weight, viscosity, temperature, pressure, working flow rate and required set point.



OFFICINE OROBICHE S.p.A.

24010 Ponteranica (Bergamo) ITALY - via Serena, 10 - Tel. 0039.035.4530.211 - Fax 0039.035.570546

www.officineorobiche.it e-mail: info@officineorobiche.it

Information subject to change without prior warning